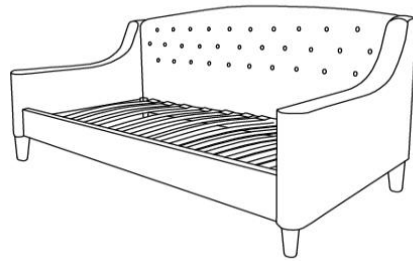

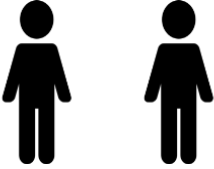



Elva Single bed



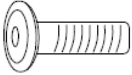
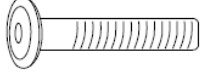
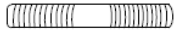





		
Allow 30-minutes	For two persons	Additional tools required

Pre-Assembly preparation:

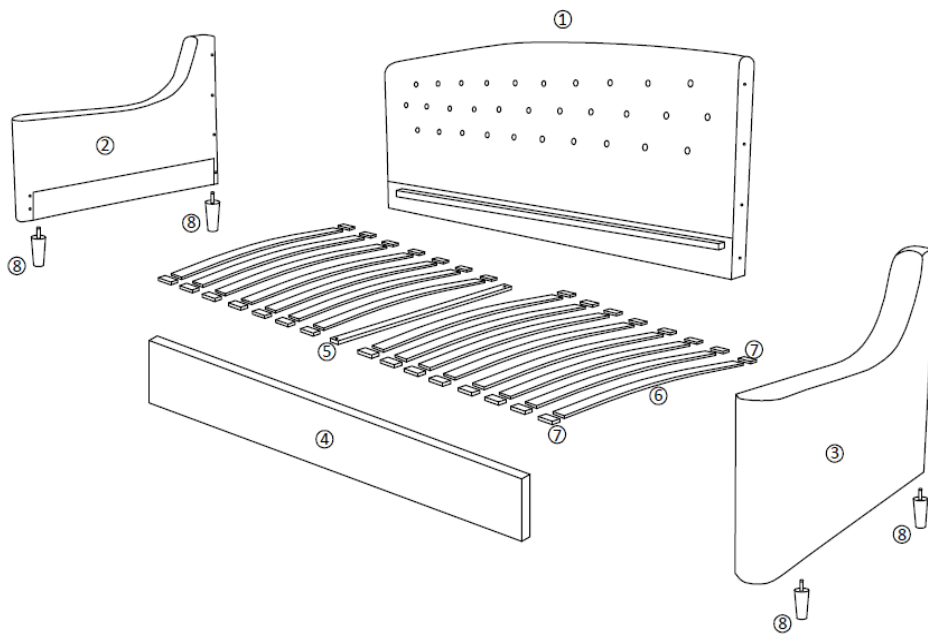
Before you start:

1. For best results, assemble the bed on a level surface, leaving enough room to unpack the contents of the boxes. Keep in mind that hard surfaces may damage the product.
2. Assemble the product close to its point of use and be careful when lifting.
3. Check that you have all required contents and that none are missing or damaged.
4. Read the assembly instructions in full before beginning assembly.
5. Do not allow small children to play with hardware parts and packaging.
6. The screws and bolts should not be overtightened, as this will damage the threads.
7. Assembly is to be carried out by a competent adult only.
8. Due to possible risk of injury, children should be kept away from the product during assembly.
9. Do not use this item if not fully assembled.
10. Please keep the instructions for future reference.

Parts List:

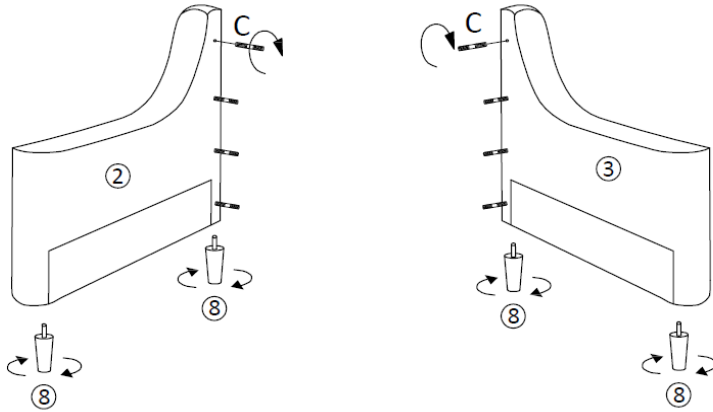
A $\frac{5}{16}$ x25mm bolts x 6pcs 	B $\frac{5}{16}$ x45mm bolts x 2pcs 	C Threaded rod x 8pcs 
D Hex nut x 10pcs 	E Washer x 18pcs 	F Allen Key x 1pc 
G Spanner x 1pc 	H Spring Washer x 6pcs 	

1 Headboard x 1pc	5 Centre cross rail x 1pc
2 Armrest Left x 1pc	6 Slats x 15pcs
3 Armrest Right x 1pc	7 Plastic cap x 30pcs
4 Side rail x 1pc	8 Feet x 4pcs



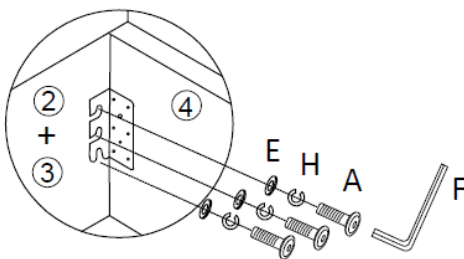
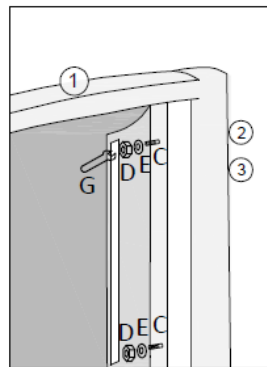
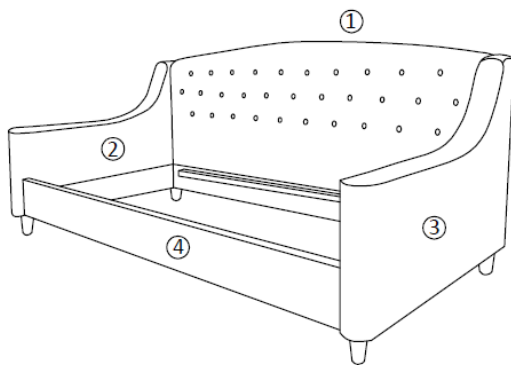
STEP 1:

1. Prepare a protected surface with a blanket or cardboard.
2. Attach the 4x threaded rod (C) to the armrest left (2) and armrest right (3), as shown in the illustration below. Tighten halfway.
3. Attach the 4x feet (8) to the armrest left (2) and armrest right (3). Tighten clockwise.



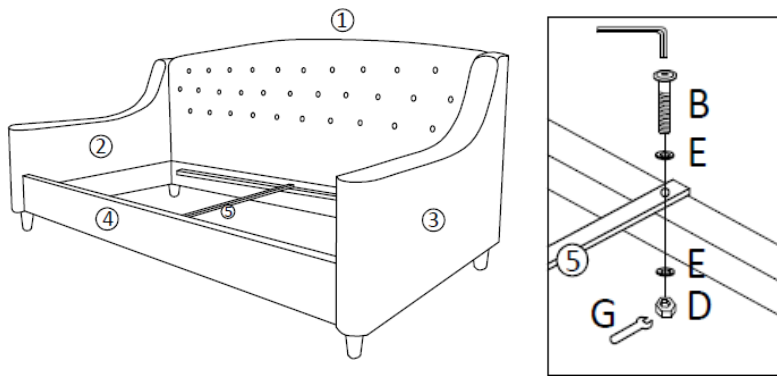
STEP 2:

4. Connect the headboard (1) to the armrest left (2) and armrest right (3). Insert washer (E) per corner. Fasten with hex nut (D).
5. Connect the side rail (4) to the armrest left (2) and armrest right (3). Secure with 4x bolt (A), spring washer (H) and washer (E) per corner. Fasten with allen key (F)



STEP 3:

6. Attach the centre cross rail (5) to the side rail and headboard as shown below. Thread 1 x bolt (B), 2 x washer (E) per side from the top and below, and lock with Hex nut (D).
7. Repeat for the other side rail.



STEP 4:

8. Attach 2 x end cap (7) onto every slat (6).
9. Attach the slat to the bed as shown below. Push the caps into the holes.

